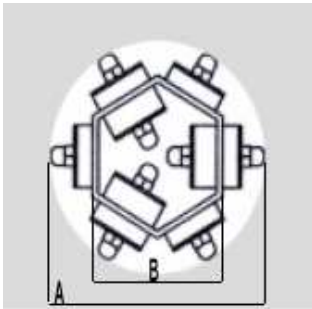
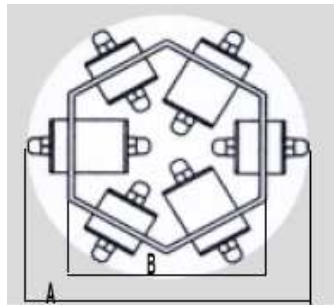


MG1



A = 145 / B = 88 (mm)

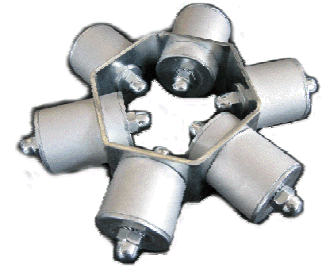
MG2



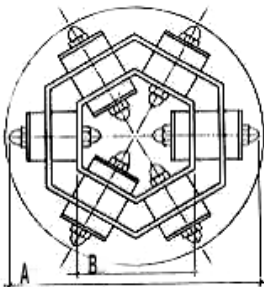
A = 195 / B = 88 (mm)

Standard Equipment:

- Form a circle / star
- Brass Protection magnets / zinc structure

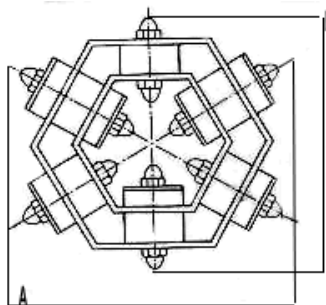


MG3



A = 182 / B = 88 (mm)

MG4



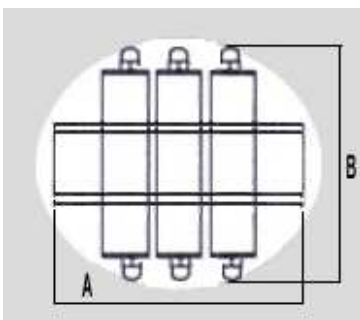
A = 173 / B = 170 (mm)

Standard Equipment:

- Form circle / star
- Brass Protection magnets / zinc structure



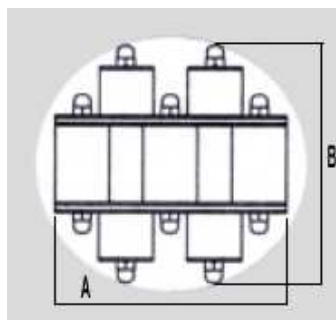
MG5



MG5/1
A = 160 / B = 160 (mm)

MG5/2
A = 200 / B = 200 (mm)

MG6



MG6/1
A = 170 / B = 170 (mm)

MG6/2
A = 200 / B = 200 (mm)

Standard Equipment

- Form Square
- Brass Protection magnets / zinc structure

